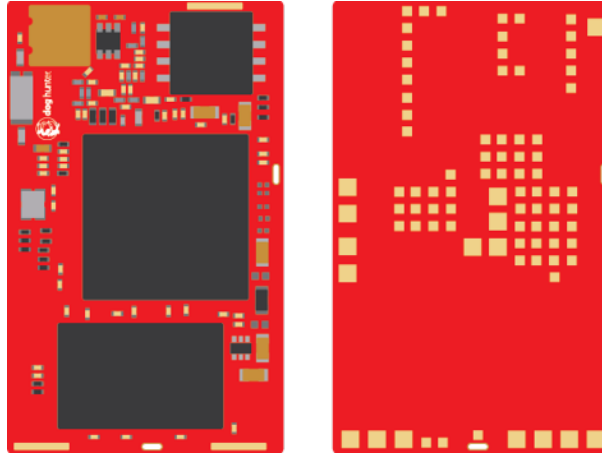




Chiwawa

AR9331 LGA Module



Contents

- Summary
- Block Diagram
- Board Dimension
- Pin Definition
- Pictures
- Temperature
- Physical Characteristic

Summary

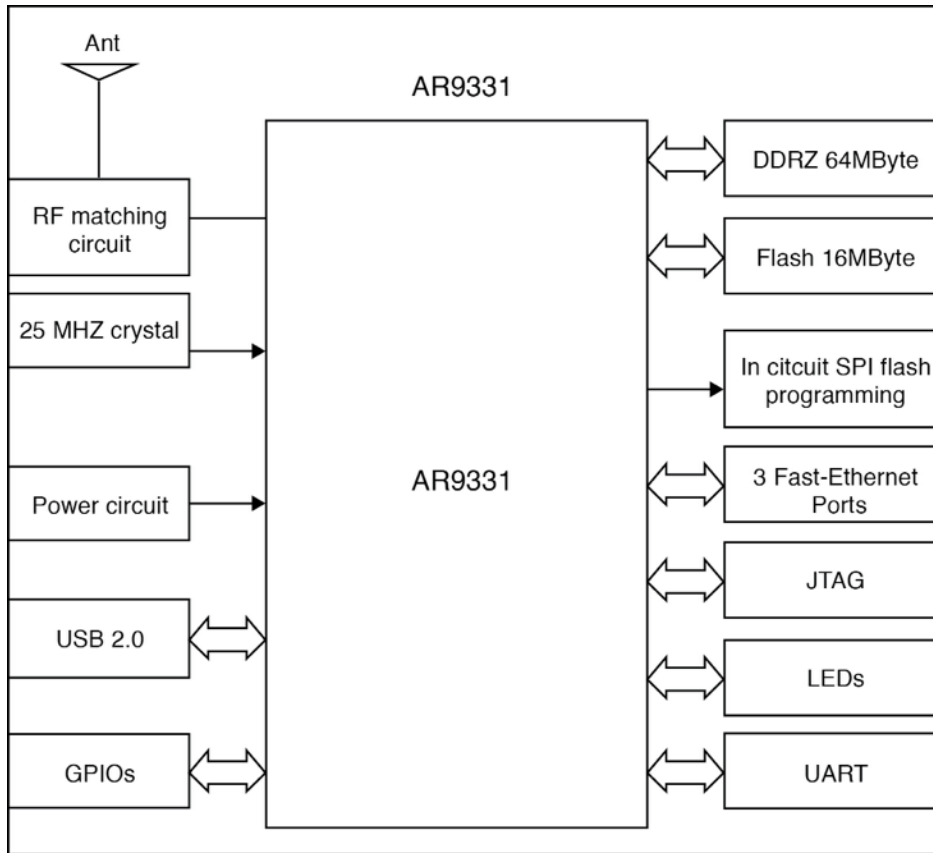
Chiwawa LGA Module

Chiwawa is a compact Wi-Fi module based on Qualcomm/Atheros AR9331 SoC. It supports a Linux distribution based on OpenWRT called Linino.

Description Chiwawa LGA Module

- AR9331 Highly-Integrated and Cost Effective IEEE 802.11b/g/n - 1x1 2.4 GHz SoC for AP and Router Platforms.
- Complete IEEE 802.11b/g/n 1x1 AP or router in a single chip
- MIPS 24K processor operating at up to 400 MHz
- 64MB DDR2 SDRAM
- 16MB SPI Flash
- 2 LAN ports and 1 WAN port IEEE 802.3 Fast Ethernet switch with auto-crossover, auto polarity, and auto-negotiation in PHYs
- Fully integrated RF front-end including PA and LNA
- Built in 2.4GHZ chip antenna
- High-speed UART for console support
- SLIC for VOIP/PCM support
- USB 2.0 host/device mode
- 23 x GPIOs support
- Advanced power management with dynamic clock switching for ultra-low power modes
- 34 x 20.7 mm Compact LGA(land grid array) module
- RoHS complaint / Lead free
- 3V3 Input

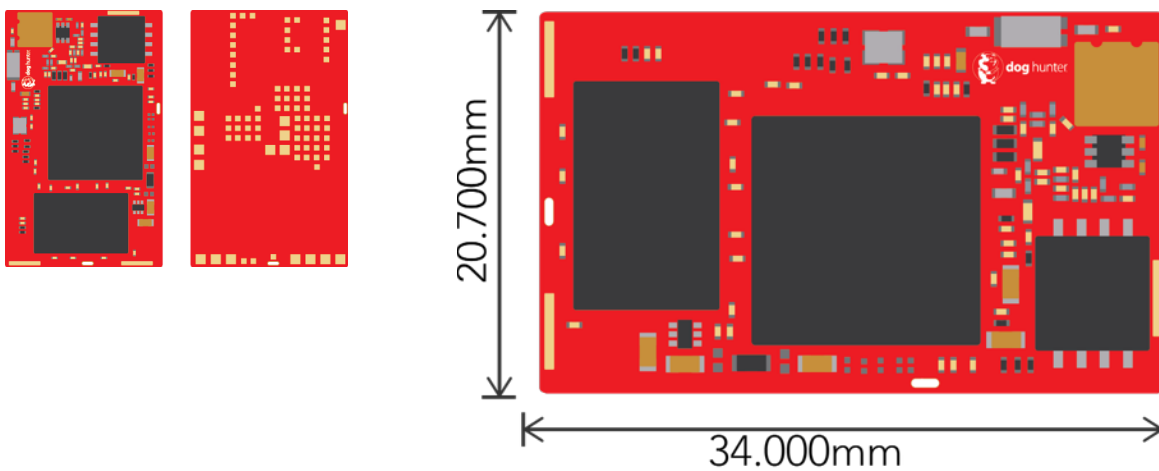
Block Diagram



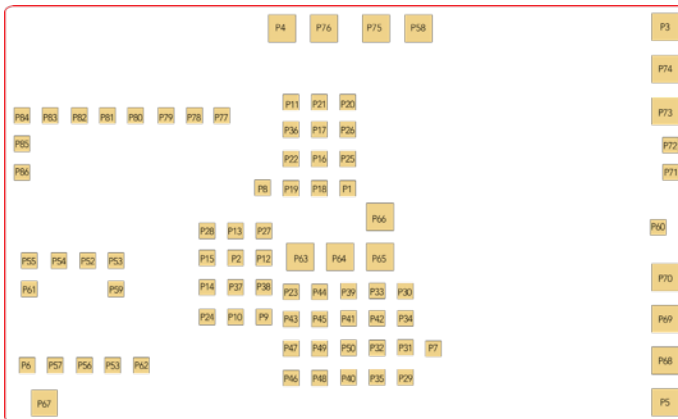
Chiwawa Block Diagram

Board Dimension

SCALE:1:1

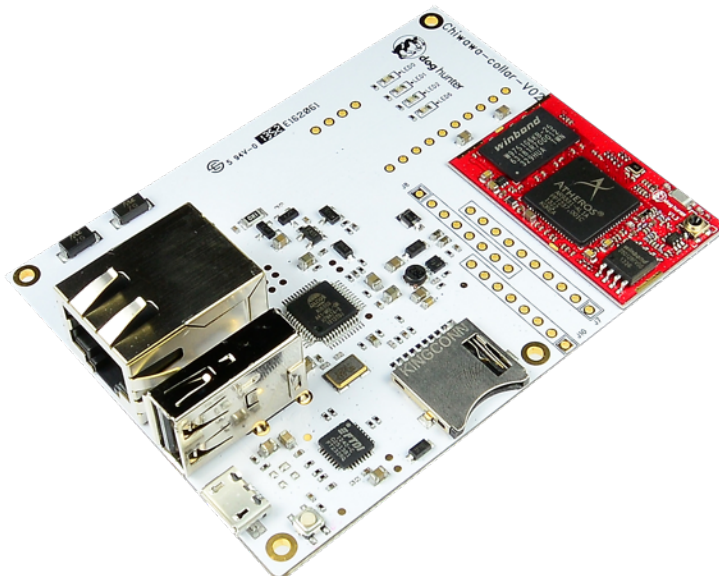
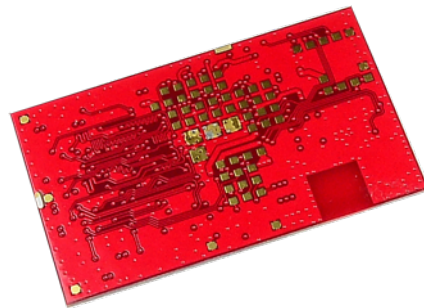


Pin Definition



P1	DVDD12	P21	LED5	P41	P4_RX-	P61	Ground	P81	Ground
P2	DVDD12	P22	LED6	P42	P4_RX+	P62	Ground	P82	Ground
P3	Ground	P23	LED7	P43	P1_RX-	P63	Ground	P83	Ground
P4	Ground	P24	LED8	P44	P1_RX+	P64	Ground	P84	Ground
P5	Ground	P25	UART_RX	P45	P1_TX-	P65	Ground	P85	Ground
P6	Ground	P26	UART_TX	P46	P1_TX+	P66	Ground	P86	Ground
P7	VDD33	P27	GPIO11	P47	P3_RX-	P67	Ground		
P8	VDD33	P28	GPIO12	P48	P3_RX+	P68	Ground		
P9	CTRL20	P29	GPIO18	P49	P3_TX-	P69	Ground		
P10	AVDD20	P30	GPIO19	P50	P3_TX+	P70	Ground		
P11	RESET	P31	GPIO20	P51	VDD_FLASH	P71	Ground		
P12	GPIO6	P32	GPIO21	P52	HOLD	P72	Ground		
P13	GPIO7	P33	GPIO22	P53	SPI_CS	P73	Ground		
P14	GPIO8	P34	GPIO23	P54	SPI_CLK	P74	Ground		
P15	JTAG_TCK	P35	GPIO24	P55	SPI_MOSI	P75	Ground		
P16	LED0	P36	GPIO28	P56	SPI_MISO	P76	Ground		
P17	LED1	P37	USB+	P57	FLASH_WP	P77	Ground		
P18	LED2	P38	USB-	P58	Ground	P78	Ground		
P19	LED3	P39	P4_TX-	P59	VDD33	P79	Ground		
P20	LED4	P40	P4_TX+	P60	Ground	P80	Ground		

Pictures



Temperature

- Operating: 0°~60°C
- Storage: -10°~60°C

Physical Characteristics

- Dimension: 34 x 20.7 mm

Project Specification

Revision History

Date / Version	Name-Function	Note
2/27/14 / 0.1	TJ-VP_EE	First Version

dog hunter LLC
8 Faneuil Hall
Boston, MA 02109 USA
T +1 (978) 631-0369
F +1 (480) 393-5577

dog hunter AG
Baarerstrasse 14
6300 Zug Switzerland
T +41 435080020

dog hunter Inc.
8F-4, No.17, Ln. 91, Sec. 1, Neihu Rd.,
Neihu Dist., Taipei City 114, Taiwan
T +886 (2) 8751-8533